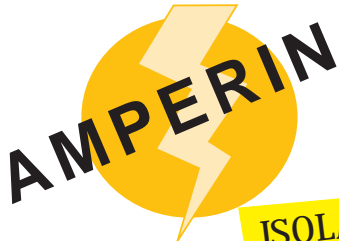


3way IAC Isolator

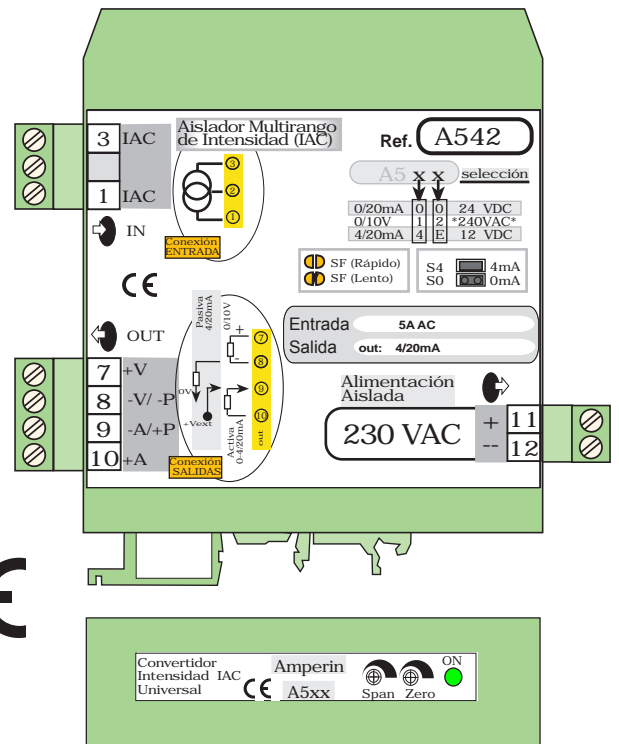


MULTIRANGE OUTPUT
CONFIGURABLE
0/10V, 0-4/20mA, ...



PLUG-IN
CONNECTORS

ISOLATED. Supply
24VDC or 230VAC



DESCRIPTION

The AMPERIN series converts the 1-5AAC alternate current signals, to a proportional multirange output 0/10V and 0-4/20mA.

TECHNICAL CHARACT.

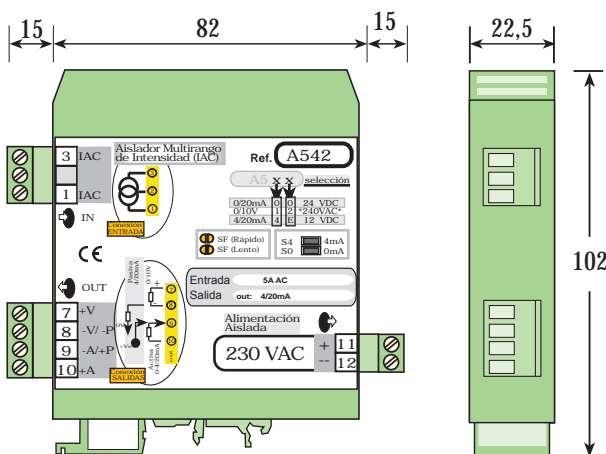
- Supply	230 VAC (+/-10%) or 24 VDC
- Working Temp.	- 10° ... +60° C
- Storage Temp.	- 30° ... + 70° C
- T. coefficient	50 ppm / °C
- Max. global error	< 0,1%
- Input consumption	0,16 Va
- Supply isolation	2.500 V
- Warm up time	5 min
- Response time (10 - 90 %)	1.000 ms NORMAL (0,25 % ripple) 200 ms FAST (1,00 % ripple)

FOR 1 AAC
5 AAC
...

REGULATIONS COMPLIANCE

Electromagnetic Compatibility	2004 / 108 / CE
Low voltage for amb. industrial	2006/95/CEE
Electromagnetic emissions	UNE-EN 50081-2
Electromagnetic immunity	UNE-EN 50082-2
Waste electronics(WEEE)	2002 / 96 / CE

DIMENSIONS (mm)



MECHANICAL CHARACT.

Protection:	IP 20
Conetion wire:	<2,5mm , 12 AWG
Box:	Poliamide UL94. V2
Weigth:	max. 100 / 145 gr.
Rail:	EN 50035, EN 50022

MODELS/Examples (Selection references)

In / Output	0 / 20mA	0 / 10V	4 / 20mA
0/5AAC 24VDC	A500	A510	A540
0/1AAC 24VDC	A100	A110	A140
0/1AAC 230VAC	A102	A112	A142
0/5AAC 230VAC	A502	A512	A542



INPUT

- Current	1 AAC / 5 AAC
- Frequency	50 - 60 Hz

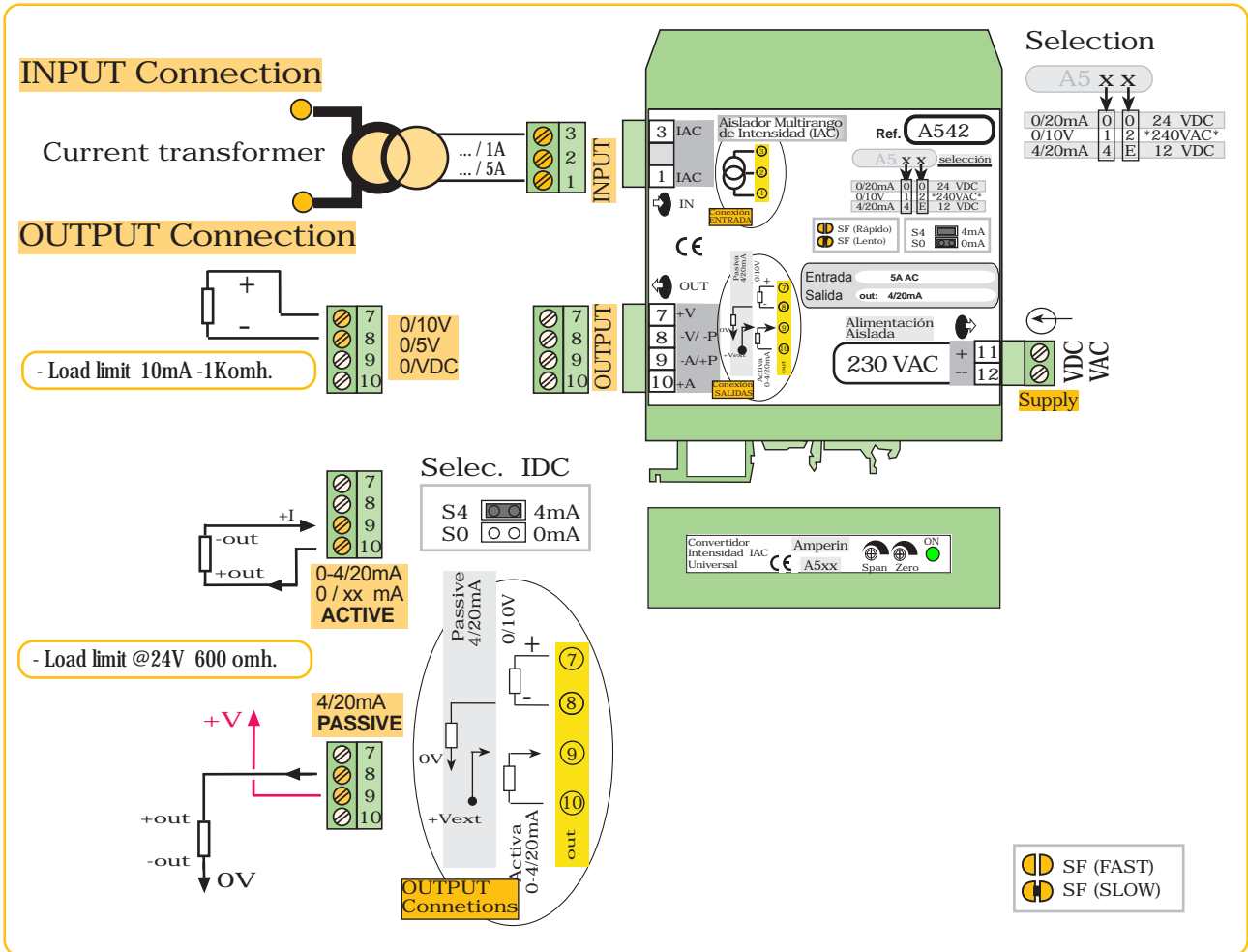
CURRENT OUTPUT

- Load impedance	max. 600 Ohm
- Max. current	25mA
- Thermal drift	0,5µA / °C
- Protection against polarity inversion.	

VOLTAGE OUTPUT

- Max. current	10mA
- Load impedance	min 1K
- Max. Output voltage	14 V
- Thermal drift	0,2mV / °C
- Protection against output shortcuts.	

A5 xx CONNECTIONS (Multirange output 0/10V and 0-4/20mA).



SELECTION REFERENCES

INPUT		OUTPUT	P.SUPPLY
5 A	1 A		
A540	A140	4 / 20 mA	24 VDC
A542	A142	4 / 20 mA	230 VAC
A500	A100	0 / 20 mA	24 VDC
A502	A102	0 / 20 mA	230 VAC
A510	A110	0 / 10 V	24 VDC
A512	A112	0 / 10 V	230 VAC
A520	A120	Inv. 20 / 4 mA	24 VDC
A522	A122	Inv. 20 / 4 mA	230VAC
A530	A130	Inv. 10 / 0 V	24 VDC
A532	A132	Inv.10 / 0 V	230 VAC

REFERENCE	A	INPUT	OUT	SUPPLY
ALTERNATE CURRENT	A			
- 1A (Alternate)		1		
- 5A (Alternate)		5		
- X (other values)		x		
- Current 0/20 mA			0	
- Voltage 0..10 V			1	
- Inverse 20..4 mA			2	
- Inverse 10..0 V			3	
- 24 VDC				0
- 110 VAC				1
- 230 VAC				2