

LOAD CELL SIMULATOR

SIM - CEL



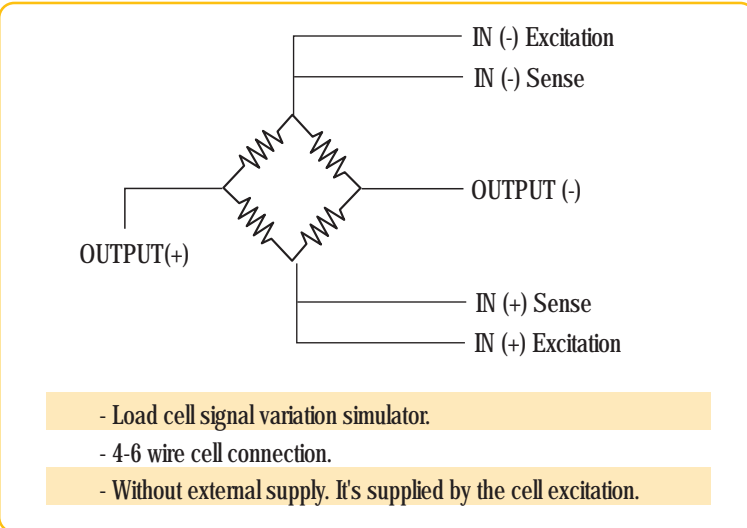
DESCRIPTION

- OUTPUT: 0... 20 mV
- SUPPLY: 10 V
- * To obtain a negative signal, invert the output wires

REGULATIONS COMPLIANCE

Electromagnetic Compatibility	2004 / 108 / CE
Low voltage for amb. industrial	2006/95/CEE
Electromagnetic emissions	UNE-EN 50081-2
Electromagnetic immunity	UNE-EN 50082-2
Waste electronics(WEEE)	2002 / 96 / CE

DIMENSIONS



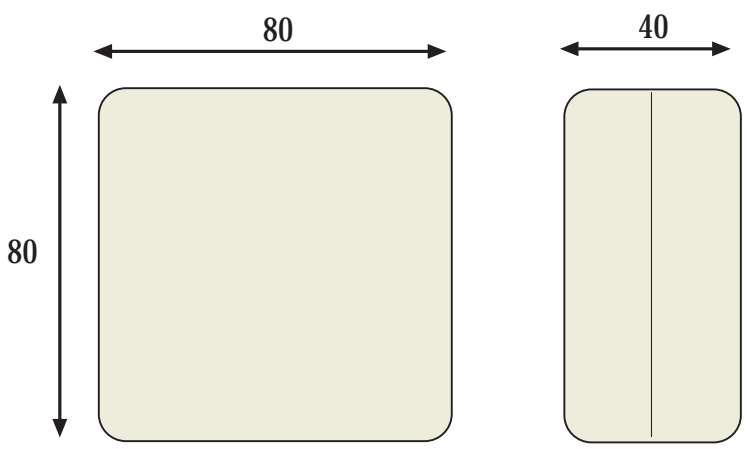
EQUIVALENCE TABLE

cell	simulator
+ Excitation: + IN	RED
- Excitation: - IN	BLACK
+ Signal: + OUT	GREEN
- Signal: - OUT	WHITE

AMBIENTALS

Working temp.	-10 / +60 °C
Storage temp.	-40 / +80 °C
T ^a coefficient	50 ppm / °C
Warm up time	5 min.

DIMENSIONS (mm)



Body lighth weight and compact
 Weight 160 grs.
 Box in ABS
 Dimensions 80 x 80 x 40 mm.

MODEL SIM-CEL