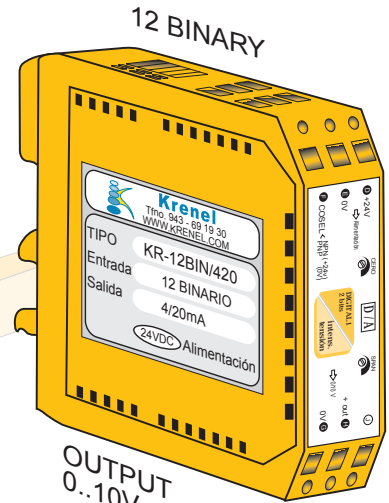


CONVERTER

DIGITAL - ANALOGIC

12BITS

OUTPUT 0/10V  
4/20mA



OUTPUT 0..10V, 0-4..20mA

### DESCRIPTION

Binary 12bits converter an analog signal with resolution of 4096 points.

Comes in a modular configuration, ready to be used in a DIN EN rail, with plug-in connectors, with a reduced space and consumption.

### INPUT

- Input optocoupled 12 bits
- Transistor PNP or NPN (24V) and TTL

### OUTPUT 4 / 20 mA

- Load resistance (Voltage)	min 1K Ohm
- Load resistance (Current)	max 600 Ohm
- Output max current (Voltage)	25 mA
- Output max current (Current)	10 mA

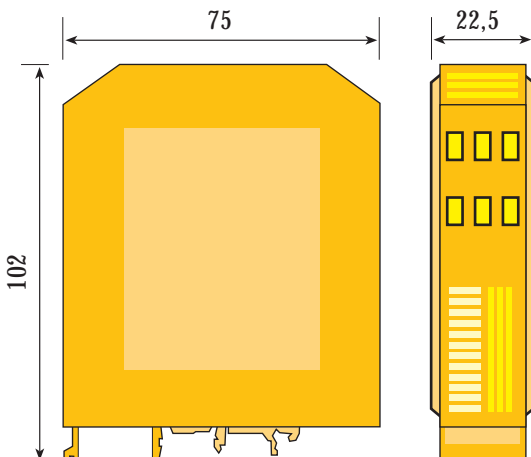
### TECHNICAL CHARACT.

- Resolution	12 bits < 0,025 %
- Working temp	-10° ... +55° C
- Supply voltage	24 VDC (+/- 10%)
- Max consumption with no connections	40 mA
- Max current in each digital input	10 mA
- Protection against shortcuts	
- External OFFSET and SPAN adjustment	

### REGULATIONS COMPLIANCE

Electromagnetic Compatibility	2004 / 108 / CE
Low voltage for amb. industrial	2006/95/CEE
Electromagnetic emissions	UNE-EN 50081-2
Electromagnetic immunity	UNE-EN 50082-2
Waste electronics(WEEE)	2002 / 96 / CE

### DIMENSIONS (mm)



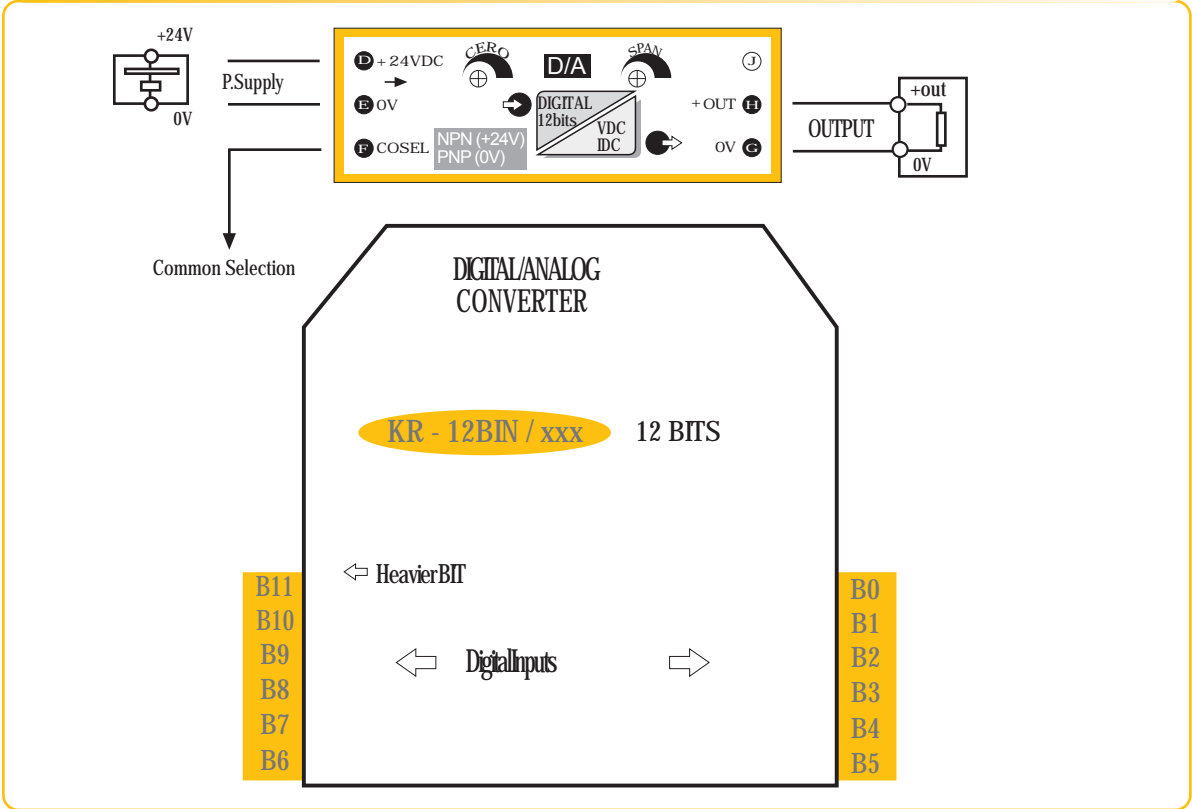
### MECHANICAL

Protection:	IP 20
Connection wire:	<2,5 mm, 12 AWG
Box:	Polyamide UL94. V2
Weight: max.	105 gr.
Rail:	EN 50035, EN 50022

### MODELS

OUTPUT	24VDC	230VAC
4 / 20mA	KR-12BIN/420	
0 / 20mA	KR-12BIN/020	
0 / 10V	KR-12BIN/010	

# CONNECTIONS



## PNP OR NPN SELECTION. Digital Lines

