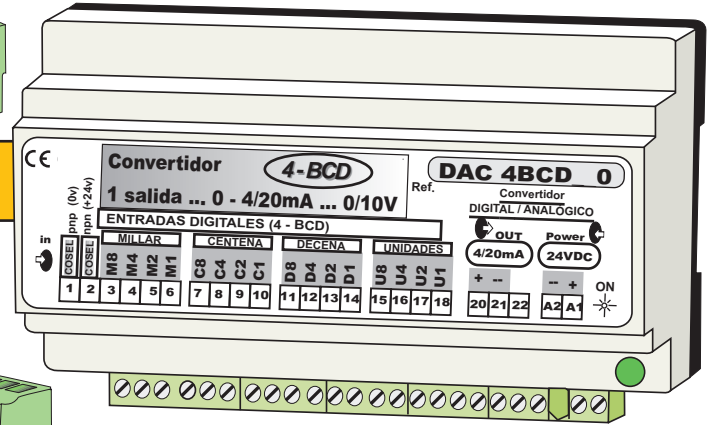
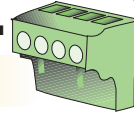
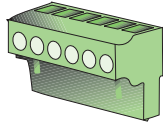
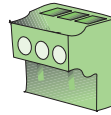


CONVERTER

DIGITAL - ANALOG

4BCD
OUTPUT

0/10V
4/20mA ...



DESCRIPTION

These modules convert digital signals of 3 or 4 digits of BCD code to an analog signal of voltage or intensity, with 999 or 9999 pto.s of resolution.

They are presented in a narrow modular configuration to fit DIN EN rail profiles, with plug-in screw terminals, small space and consumption.

PRECISION

Max global error	0,1 %
Linearity error	0,08 %
Thermal drift	0,5µA / °C
Thermal drift	0,2mV / °C

WITH PLUG-IN CONNECTORS



AMBIENTALS

Working temp.	-10 / +60 °C
Storage temp.	-40 / +80 °C
T ^a coefficient	50 ppm / °C
Warm up time	5 min.

REGULATIONS COMPLIANCE

Electromagnetic Compatibility	2004 / 108 / CE
Low voltage for amb. industrial	2006/95/CEE
Electromagnetic emissions	UNE-EN 50081-2
Electromagnetic immunity	UNE-EN 50082-2
Waste electronics(WEEE)	2002 / 96 / CE

INPUT

- Optocoupled 3 / 4 digit input
- Transistor PNP or NPN and TTL

OUTPUT

- Load impedance (*voltage*) min 1K Ohm
- Load impedance (*current*) max 600 Ohm
- Output max current (*voltage*) 10 mA
- Output max current (*current*) 25 mA

TECHNICAL CHARACT.

- Resolution 999 < 0,1 %
9999 < 0,01 %
- Supply voltage 220VAC / 24VDC (+/- 15%)
- Max consumption(empty) 40 mA
- Max current in each digital input 10 mA
- Protection against shortcut and polarity inversion
- OFFSET and SPAN internal adjustment
- Mount in asymmetric rail

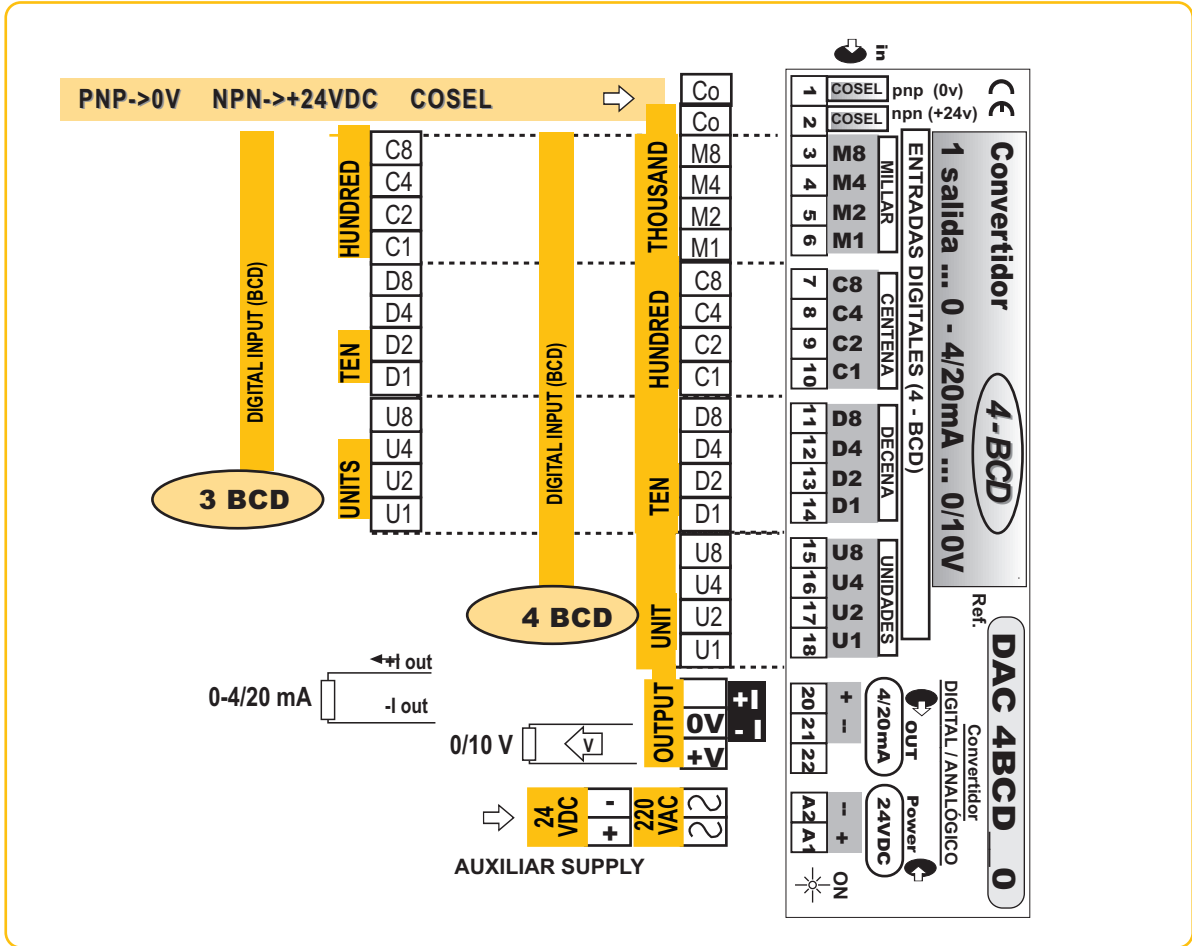
MODELS (4BCD INPUT)

OUTPUT	24VDC	230VAC
4 / 20mA	DAC 4BCD40	DAC 4BCD42
0 / 20mA	DAC 4BCD00	DAC 4BCD02
0 / 10V	DAC 4BCD10	DAC 4BCD12

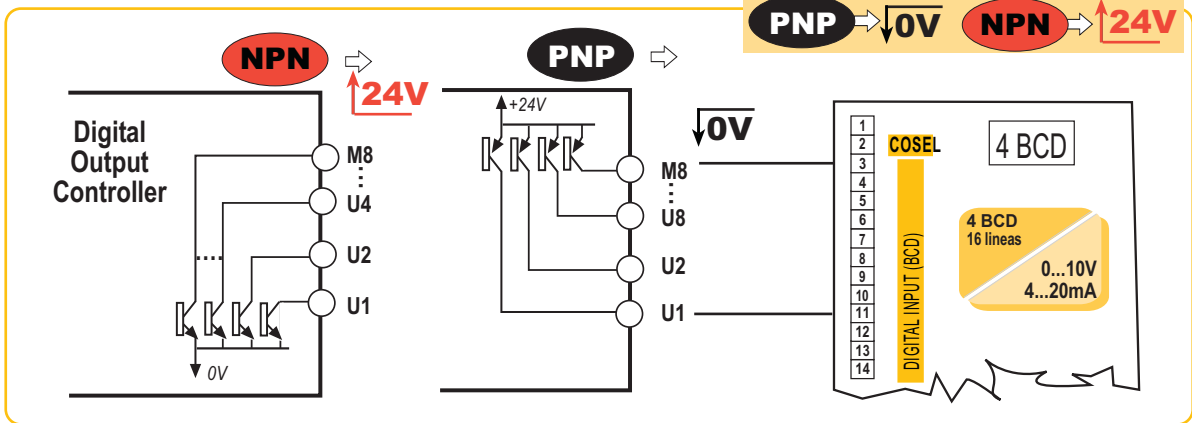
DIMENSIONES

Protection... IP20
 Rail EN50022.
 Self-extinguishing UL94-VO.
 Base material: Noryl VO 1550 - Black
 Top material: Lexan 940 - Grey
 Connection: Plug-in connectors through screws.
 screws max torque (M3) 0,5Nm
 Weight..... 270gr.

CONNECTIONS



SELECTION PNP or NPN. Digital lines



ADJUSTMENT SITUATION

