

# 4/20mA ISOLATOR

## 1 and 2 CHANNELS

### 24VDC / 230VAC

**LOW COST**



#### DESCRIPTION

This module isolates the 4/20 mA signals. For 1 channel or 2 channels. Supplied with 24VDC, 230VAC, and self supplied. With inverted outputs. All of them are compatible with DIN EN rail.

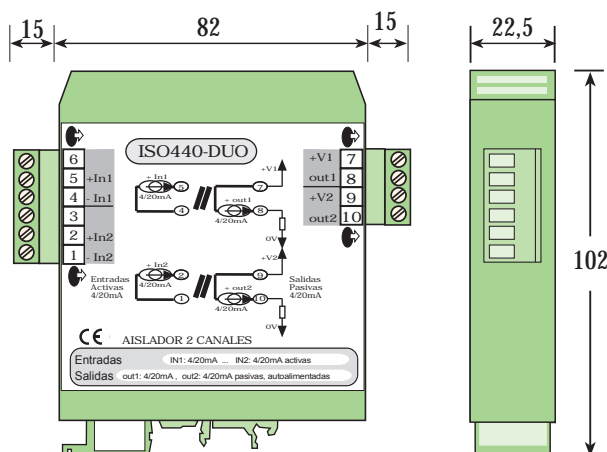
#### TECHNICAL CHARACTERISTICS

- Working temp.	-10° ... +60° C
- Max. error	< 0,1 %
- INPUT/OUTPUT isolation	1.500 V
- Response time (10 - 90 %)	< 5 msec
- Protected output against polarity inversion	
- Adjustable with SPAN and ZERO	

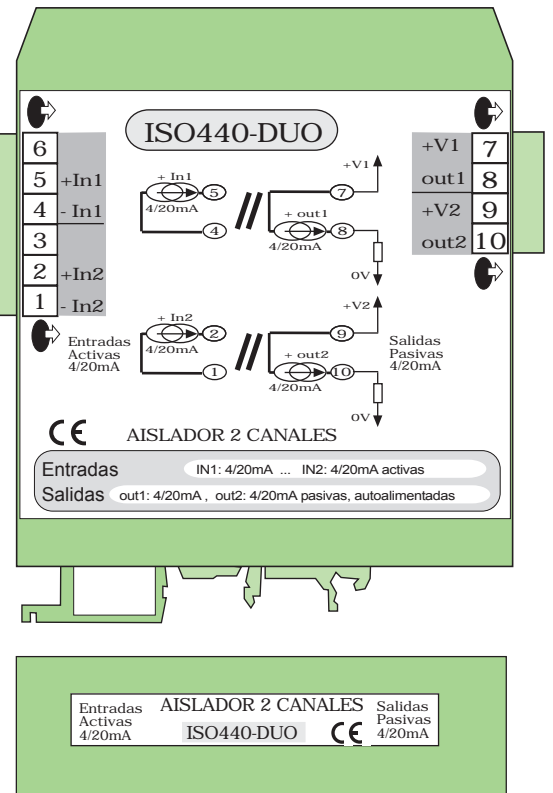
#### MECHANICAL CHARACTERISTICS

Protection:	IP 20
Connection wire:	<2,5mm , 12 AWG
Box:	Poliamide UL94. V2
Weight:	max. 70/120 gr.
Rail:	EN 50035, EN 50022

#### DIMENSIONS (mm)



Selección



Available with inverted outputs



#### INPUT

- Input Impedance (typical)	250 Ohm
(without protection R.)	120 Ohm
- Input max. current	50 mA
- Input protected against polarity inversion	

#### OUTPUT

- Max. load at 24 V	850 Ohm
- Output loop supply (Passive)	6V ... 32 VDC
- Max. output current	25 mA

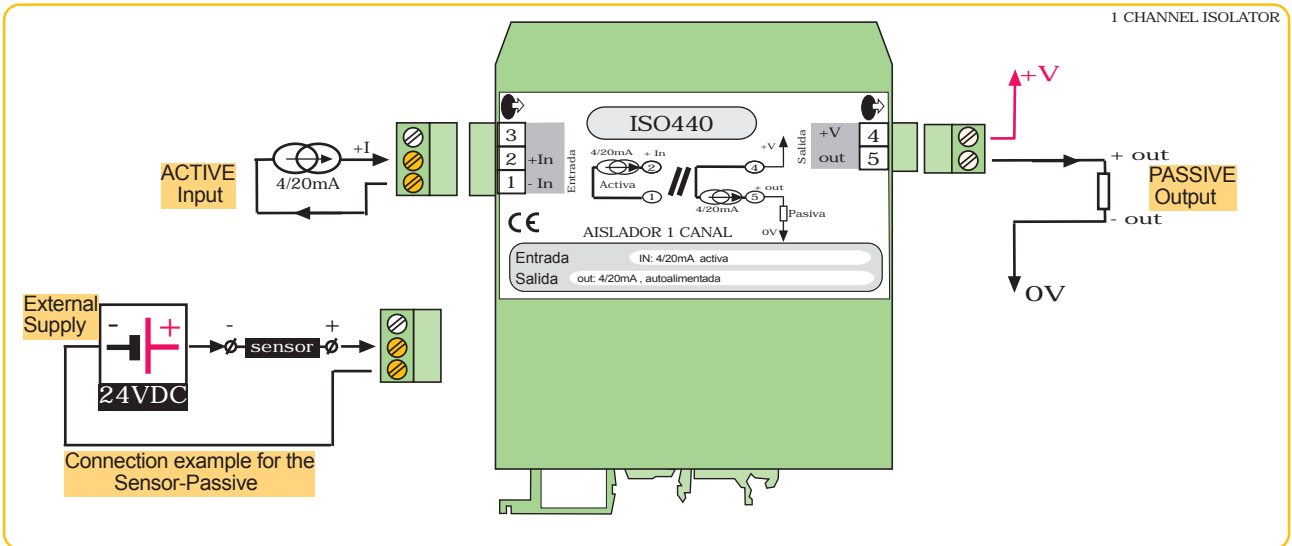
#### REGULATIONS COMPLIANCE

Electromagnetic Compatibility	2004 / 108 / CE
Low voltage for amb. industrial	2006/95/CEE
Electromagnetic emissions	UNE-EN 50081-2
Electromagnetic immunity	UNE-EN 50082-2
Waste electronics(WEEE)	2002 / 96 / CE

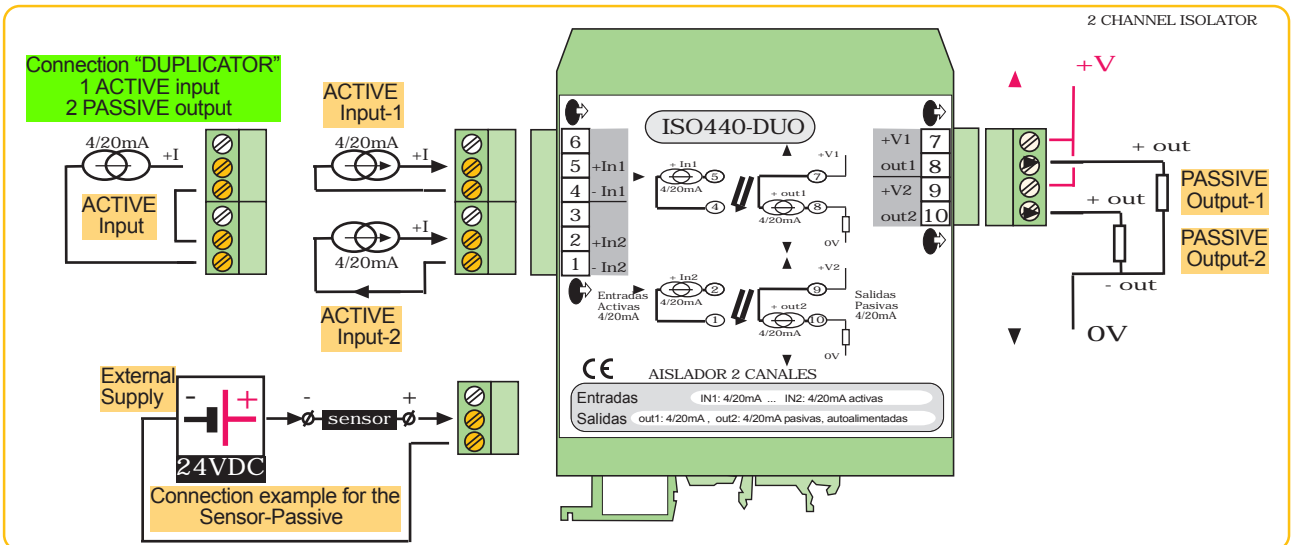
#### MODELS

	Inverse	ISO440-INV
Input Active	24VDC	230VAC
Input Passive	ISO440	ISO442
(2 Channels)	ISO440-EXC	ISO442-EXC
Output	ISO440-DUO	

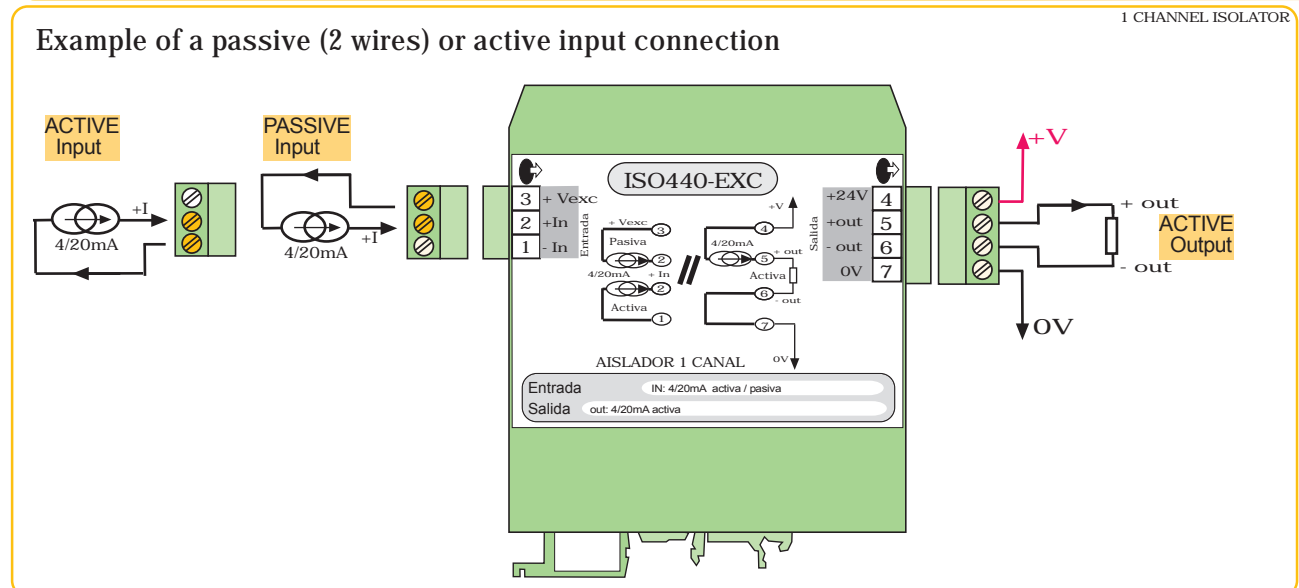
## ISO- 440 CONNECTIONS. (Self supplied 6 ..32VDC, from the output)



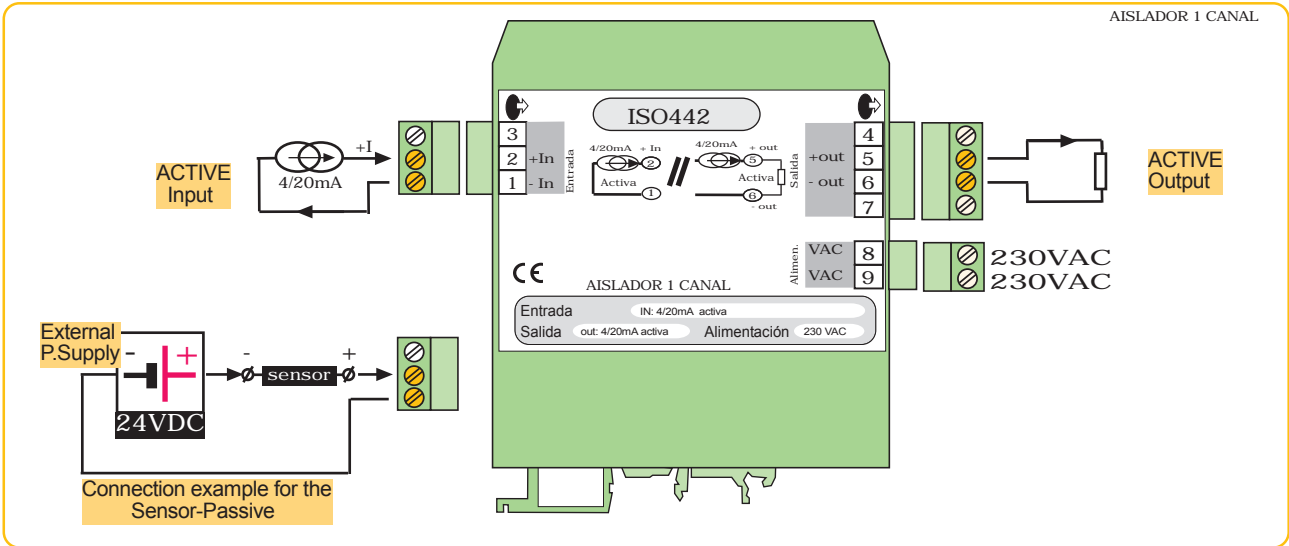
## ISO- 440-DUO. CONNECTIONS. (Self supplied 6 ..32VDC, from the output)



## ISO- 440- EXC. CONNECTIONS 24VDC SUPPLY



# ISO- 442 . CONNECTIONS ( 230VAC)



# ISO- 442- EXC . CONNECTIONS (230VAC)

