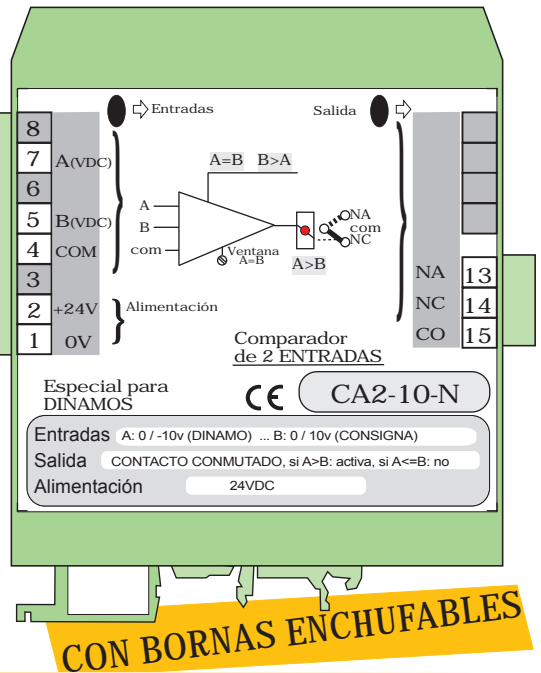


COMPARATOR for GENERATOR in both ways 0/+10V and 0/-10V OUTPUT C.L.P.



DESCRIPTION

This is compared, by 2 modules, it signals a generator, which can be positive or negative, with two external setpoints, both positive, generated by a controller (PLC).

These comparators has 2 inputs A and B.

A: 0 / -10 V or 0 / + 10V, as appropriate (Generator signal) and B: 0 / 10V (setpoint).

- If A > B, will activate the corresponding opto-relay, and turn on the LED.

- If A < B, or A = B, not the opto-relay will be activated.

It has adjustable front for the "hysteresis".

It supplied with plug-in terminals, to facilitate assembly and maintenance.

INPUT

- Input impedance	50 Kohm.
- Max. signal	30 V
- Max. consumption	50mA

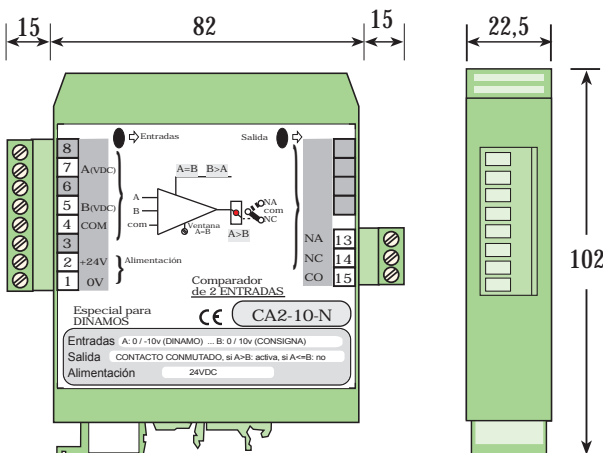
AMBIENTALS

Working temp.	-10 / +60 °C
Storage temp.	-40 / +80 °C
T ^a coefficient	50 ppm / °C
Warm up time	5 min.

REGULATIONS COMPLIANCE

Electromagnetic Compatibility	2004 / 108 / CE
Low voltage for amb. industrial	2006/95/CEE
Electromagnetic emissions	UNE-EN 50081-2
Electromagnetic immunity	UNE-EN 50082-2
Waste electronics(WEEE)	2002 / 96 / CE

DIMENSIONS (mm)



MECHANICAL

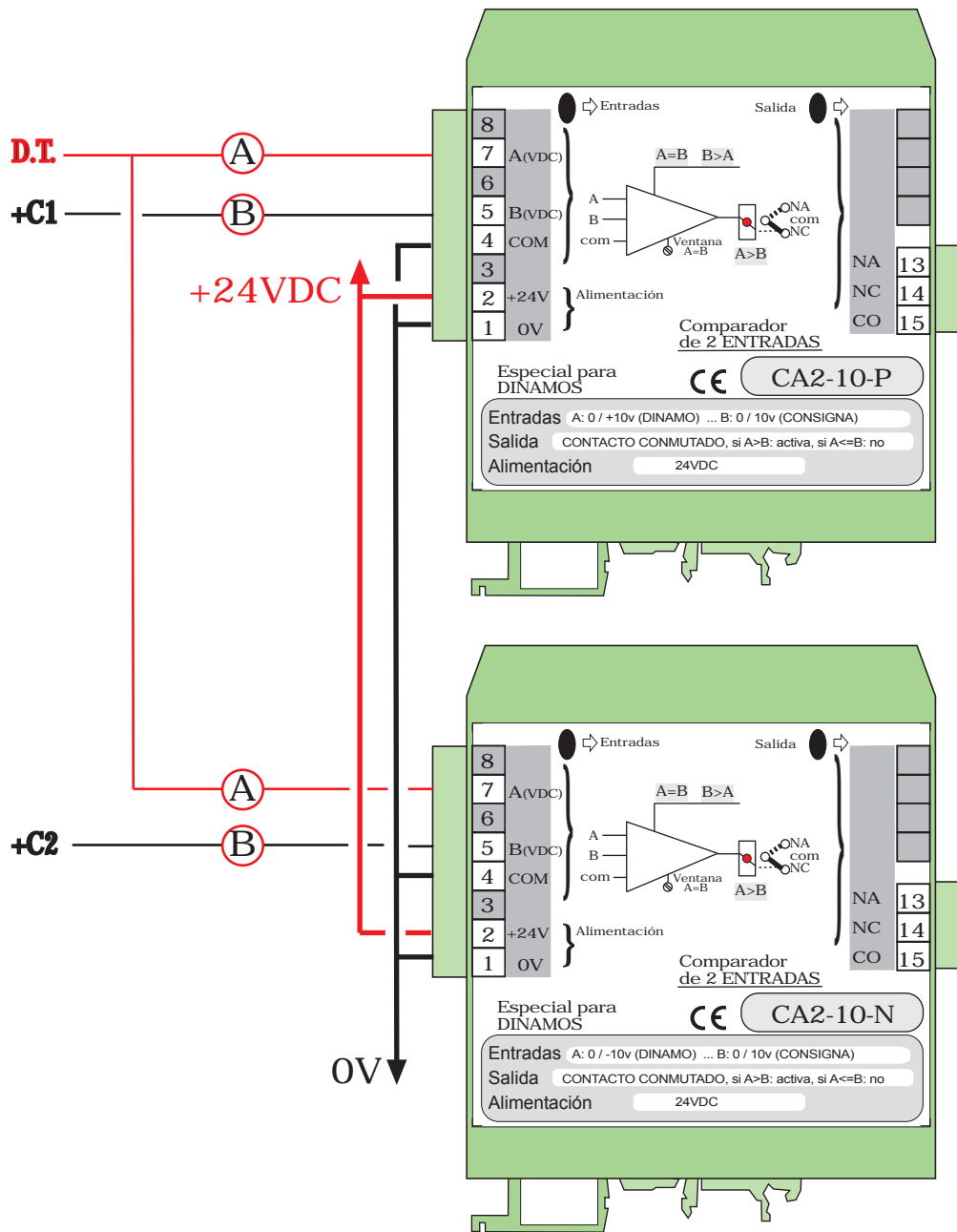
Protection:	IP 20
Connection wire:	< 2,5 mm, 12 AWG
Box:	Polyamide UL94. V2
Weight: max.	110 gr.
Rail:	EN 50035, EN 50022

MODELS

CA2-x0

Generator input	
0 / -10V	CA2-10-N
0 / +10V	CA2-10-P

CONNECTIONS. Supply 24VDC



D.T. - Tachogenerator +/-10V.

C1 - Setpoint positive sense 0/10V.

C2 - Setpoint negative sense 0/10V.