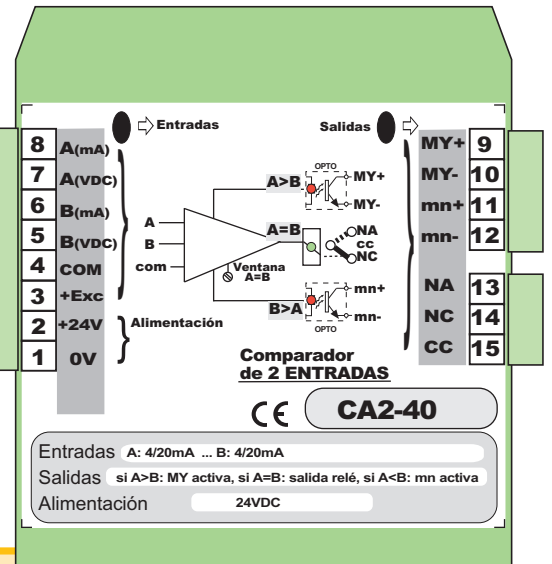


# COMPARATOR CONFIGURABLE 2 inputs 0-4/20mA, 0/10V, POT.

2- OPTOCOUPLED OUTPUT (MAX/min)  
1- OUTPUT C.L.P.

- ✓ 2 ways galvanic isolation:  
INPUT / OUTPUT
- ✓ Configurable input and output.
- ✓ Input: 0/10V, 0/20mA, 4/20mA, 0/100mV and bipolars
- ✓ Specials: Ask for other scales.

**SUPPLY  
24 VDC**



## INPUT

## CONFIGURABLE INPUTS

- Input impedance	Ⓧ	50 Kohm.
- Max signal	Ⓧ	30 V
- Input impedance	Ⓛ	50+120 omh (PTC)
- Max. signal	Ⓛ	50 mA
- Sensor excitation	"+Exc"	2.5V / 5mA
- Max. consumption		50mA

## OUTPUT (A<B, A<B) Optocouplers

Max. current capacity	30mA
Max. voltage	30V
Configuration	NPN, PNP, CLP, TTL...

Max. frequency 5KHz

## SALIDA (A=B) Switched contact

Max. current capacity	10A-227VAC
-----------------------	------------

## DESCRIPTION

This comparator receives 2 inputs "A and B" of 0-4/20mA 0/10V (configurable through solders).

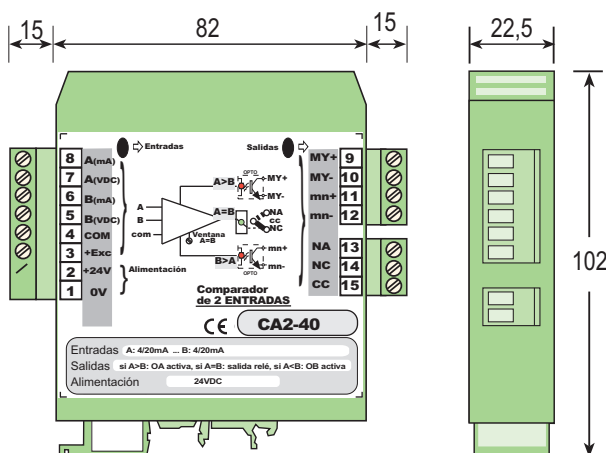
- If A>B, will activate the correspondent red led and octocoupler.
- If A<B, will activate the correspondent red led and octocoupler.
- If they're equal (A=B), The green led and the relay with C.L.P output will activatedencenderá el led verde, y en su caso activará un relé con salida C.L.P.

The module is supplied with 24VDC.

Comes with plug-in connectors, to make easier the installation and maintenance.

**WITH PLUG-IN CONNECTORS**

## DIMENSIONS (mm)



## MECHANICAL

Protection:	IP 20
Connection wire:	< 2,5 mm, 12 AWG
Box:	Polyamide UL94. V2
Weight: max.	110 gr.
Rail:	EN 50035, EN 50022

## MODELS (2 inputs) CA2-x0

4 / 20mA	CA2-40
0 / 10V	CA2-10
Pot. (1K..10K)	CA2-30

## REGULATIONS COMPLIANCE

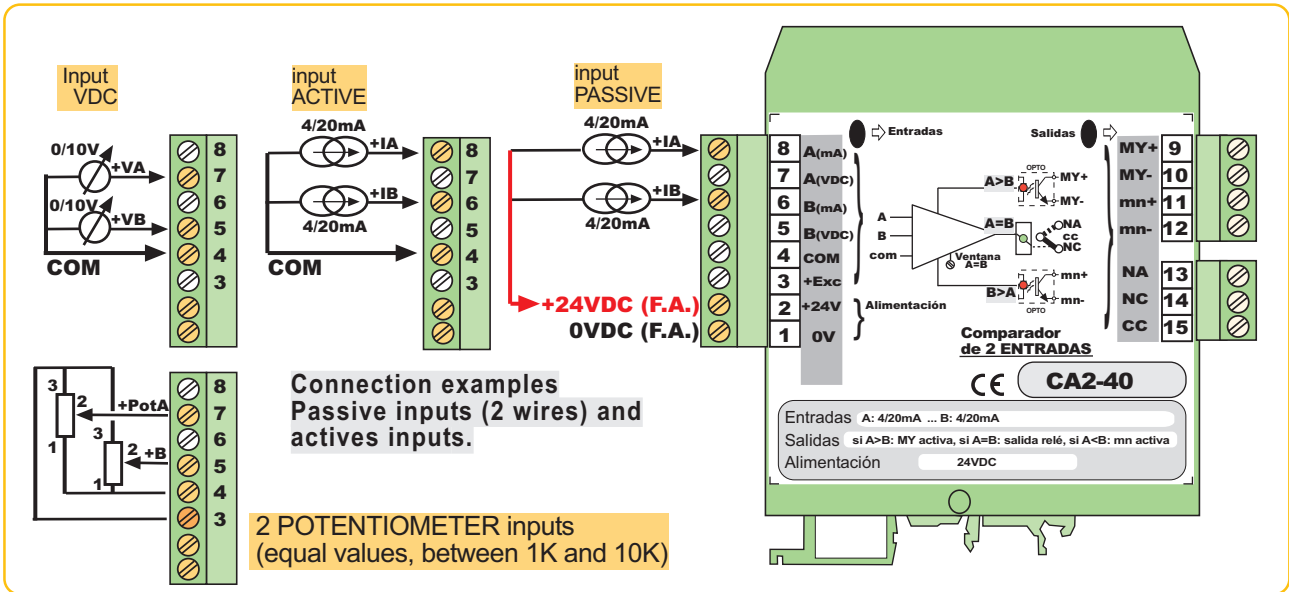
Electromagnetic Compatibility	2004 / 108 / CE
Low voltage for amb. industrial	2006/95/CEE
Electromagnetic emissions	UNE-EN 50081-2
Electromagnetic immunity	UNE-EN 50082-2
Waste electronics(WEEE)	2002 / 96 / CE

## AMBIENTALS

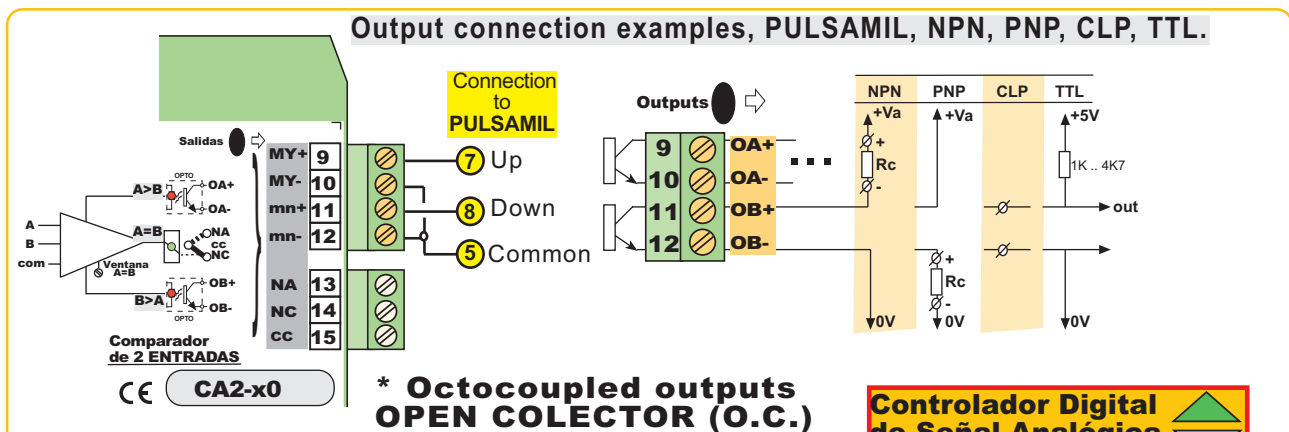
Working temp.	-10 / +60 °C
Storage temp.	-40 / +80 °C
T <sup>a</sup> coefficient	50 ppm / °C
Warm up time	5 min.

## INPUT CONNECTIONS.

## Supply 24VDC



## OUTPUT CONNECTIONS



### Description "PULSAMIL"

-Is a converter that generates and analog output with variable current (0-4... 20mA) or voltage (0... 10V), increases or decreases in proportion to the actuation time of 2 input contacts UP / DOWN.

