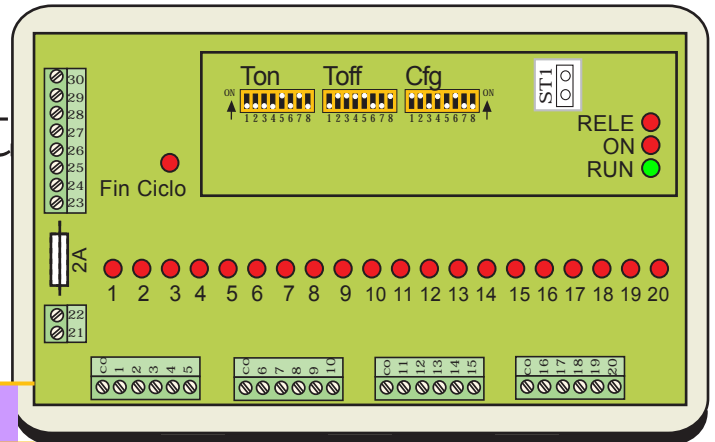
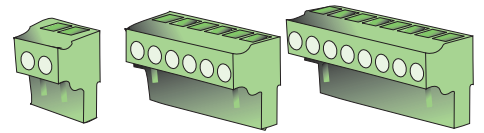


# automatic SEQUENCER with VAC output



Up to 20 outputs

Electrovalves

Contacts and Relays

## DESCRIPTION

WITH PLUG-IN CONNECTORS



The electronic sequencer of up to 20 active outputs, with a common point, that allows to activate relays, contactors or electrovalves. Indicates the active channel with a led.

It works automatically by applying power to the module, placing the strap ST1.

\* The maneuver has 2 adjustable timers:

Ton - time active (the same for each channel) output.

Toff - Pause time between desactivación and activation of the next channel.

You can set the number of active outputs, and a multiplier factor for Ton and Toff.

APPLICATIONS are indicated for all installations or processes that employ a large number of sequential actuation outputs. (CLEANING baghouses, etc ...)

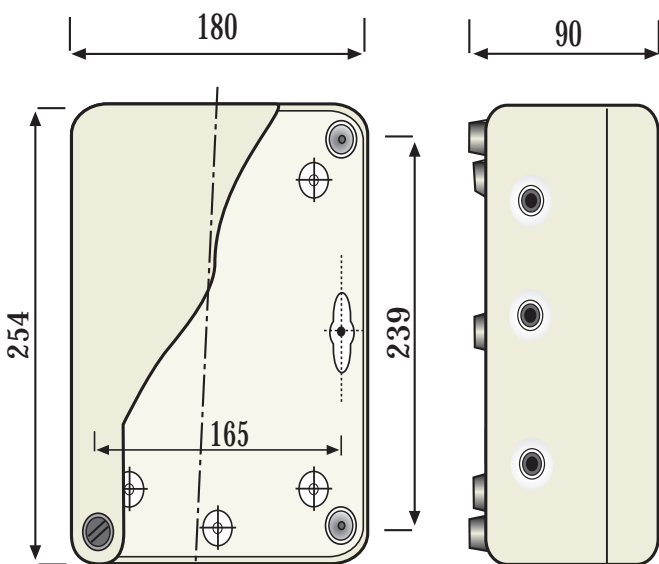
## GENERAL CHARACT.

- Activation time ..... Ton: 10ms. to 25,5 s.
- Pause time ..... Toff: 1s. to 42,5 min.
- Current protection and limitation in the output through fuse 2A
- Varistor surge protection in the supply
- Supply ..... 230VAC.
- Compact modular box

## INDICATIONS

- RELAY ● END CYCLE RELAY ACTIVATED
- ON: ● VALVE ACTIVATED IN HIS Ton
- RUN: ● RUN THE CYCLE

## DIMENSIONS (mm)



## REGULATIONS COMPLIANCE

Electromagnetic Compatibility	2004 / 108 / CE
Low voltage for amb. industrial	2006/95/CEE
Electromagnetic emissions	UNE-EN 50081-2
Electromagnetic immunity	UNE-EN 50082-2
Waste electronics(WEEE)	2002 / 96 / CE

## MECHANICAL CHARACT.

Body	Polyestylene
Protection grade	IP66 (NEMA 12K)
Material temperature	-25°C / +70°C
in a continuous use	máx. +60°C
Crash resistance	good
Color standard / Cover	Gray / Transparent
Gasket	poliuretane
Non toxic products, selfextinguishing	
External dimensions	254 x 180 x 90mm
Output connections	PG7 hexagonal poliamide

REFERENCE: SECUENCIADOR-20

## INPUTS

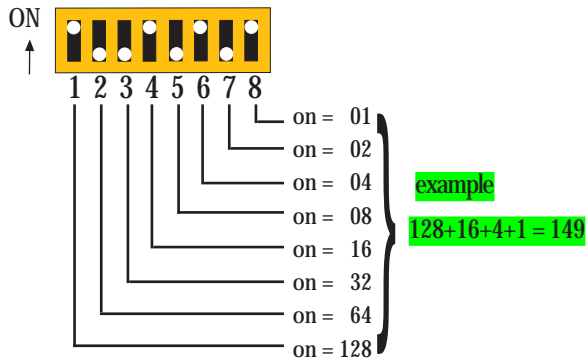
- Main supply 230VAC-50Hz (L-N).
- Supply for the E.V. at 24VAC (Vs-Co).
- ST1: strap, if connected makes continuous cycles
- START: if ST1 is not connected, to make a new cycle. (if you made a bridge with the relay "End of the cycle", will make continuous cycles).

## OUTPUTS

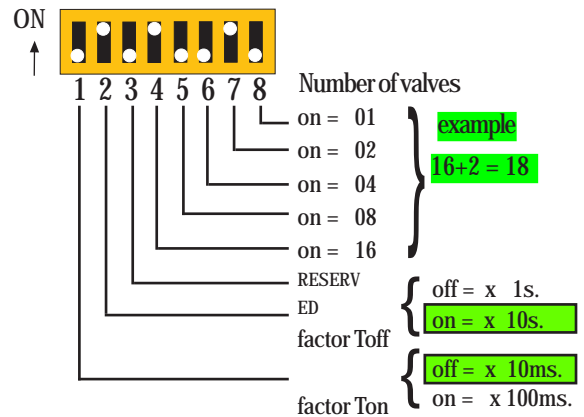
- Electrovalve: Can be connected up to 20 E.V., that are protected with a fuse F1
- END OF THE CYCLE: When cycle is ended, when all the valves are activated, this relay is activated to indicate the end.

## PROGRAMMATIONS

**Ton y Toff:** have 8 bit . The selected bits can be added Configuration of 1 to 255 in binary.



**Configuration:** The programmed number of active valves and the time factors for Ton and Toff



## CONNECTIONS FOR THE FIELD BOX

