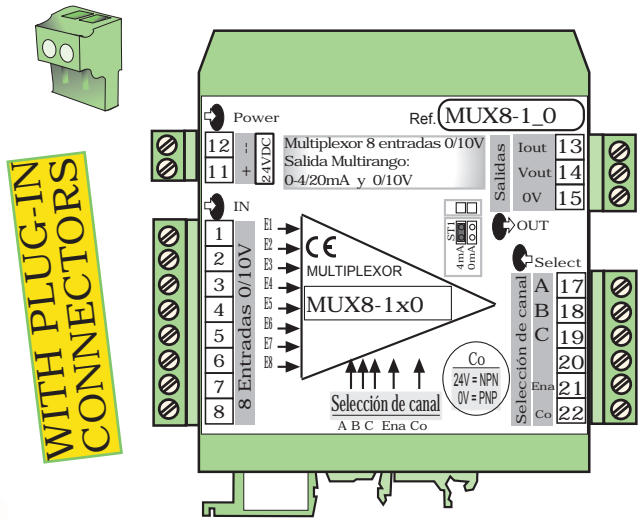


MULTIPLEXER

8 inputs 0/10V

1 OUTPUT 0-4/20mA or 0/10V

SUPPLY
24 VDC



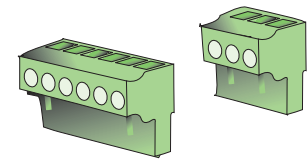
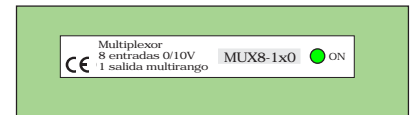
WITH PLUG-IN CONNECTORS

DESCRIPTION

Multiplexer with 8 analog statically switched channels 0 / 10V. Using a single PLC analog input and 3 digital outputs selection. Achieving a considerable saving of analog inputs.

Available with output 0 / 10V or 4 / 20mA.

To exit 4 / 20mA can use the control input (ENABLE) selection multiplexer, which allows chaining several multiplexers using 1 single output 0-4 / 20mA.



GENERAL CHARACT.

- Input: 8 channels of analog signals 0 / 10V.
- OUT: 0 / 10V non-expandable.
- EXIT: 0-4/20 mA ACTIVE (amplified load capacity)
Expandable: Ready to join using multiplexers, forming a single output.
- CONTROL: · 3 opto-coupled digital inputs channel selection in binary code
· 1 optocoupled digital ENABLE input multiplexer selection. (Used in several multiplexers cascaded).
- POWER: Power supply 24 VDC +/- 20%

AMBIENTALS

Working temp.	-10 / +60 °C
Storage temp.	-40 / +80 °C
T ^a coefficient	50 ppm / °C
Warm up time	5 min.



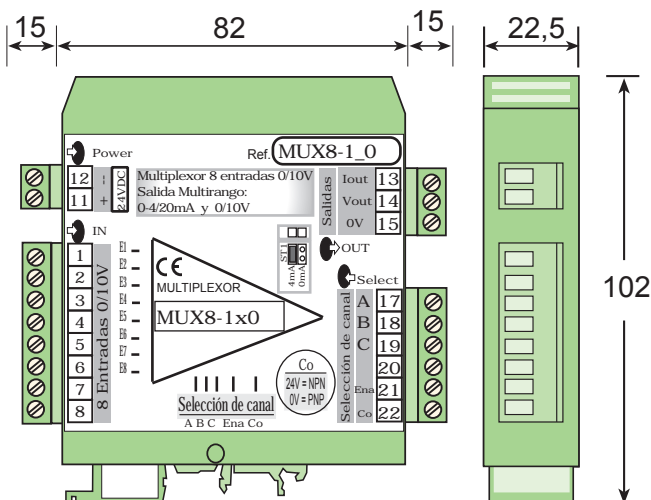
PRECISION

Max global error	0,1 %
Linearity error	0,08 %
Thermal drift	0,5µA / °C
Thermal drift	0,2mV / °C

REGULATIONS COMPLIANCE

Electromagnetic Compatibility	2004 / 108 / CE
Low voltage for amb. industrial	2006/95/CEE
Electromagnetic emissions	UNE-EN 50081-2
Electromagnetic immunity	UNE-EN 50082-2
Waste electronics(WEEE)	2002 / 96 / CE

DIMENSIONS (mm)



MECHANICAL

Protection:	IP 20
Connection wire:	< 2,5 mm, 12 AWG
Box:	Polyamide UL94. V2
Weight: max.	100gr
.Rail:	EN 50035, EN 50022

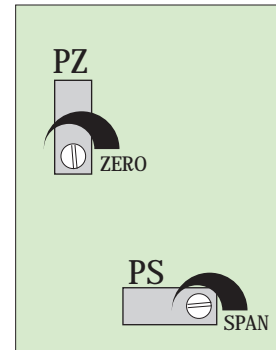
References

4/20mA	MUX8-140
0/10V	MUX8-110

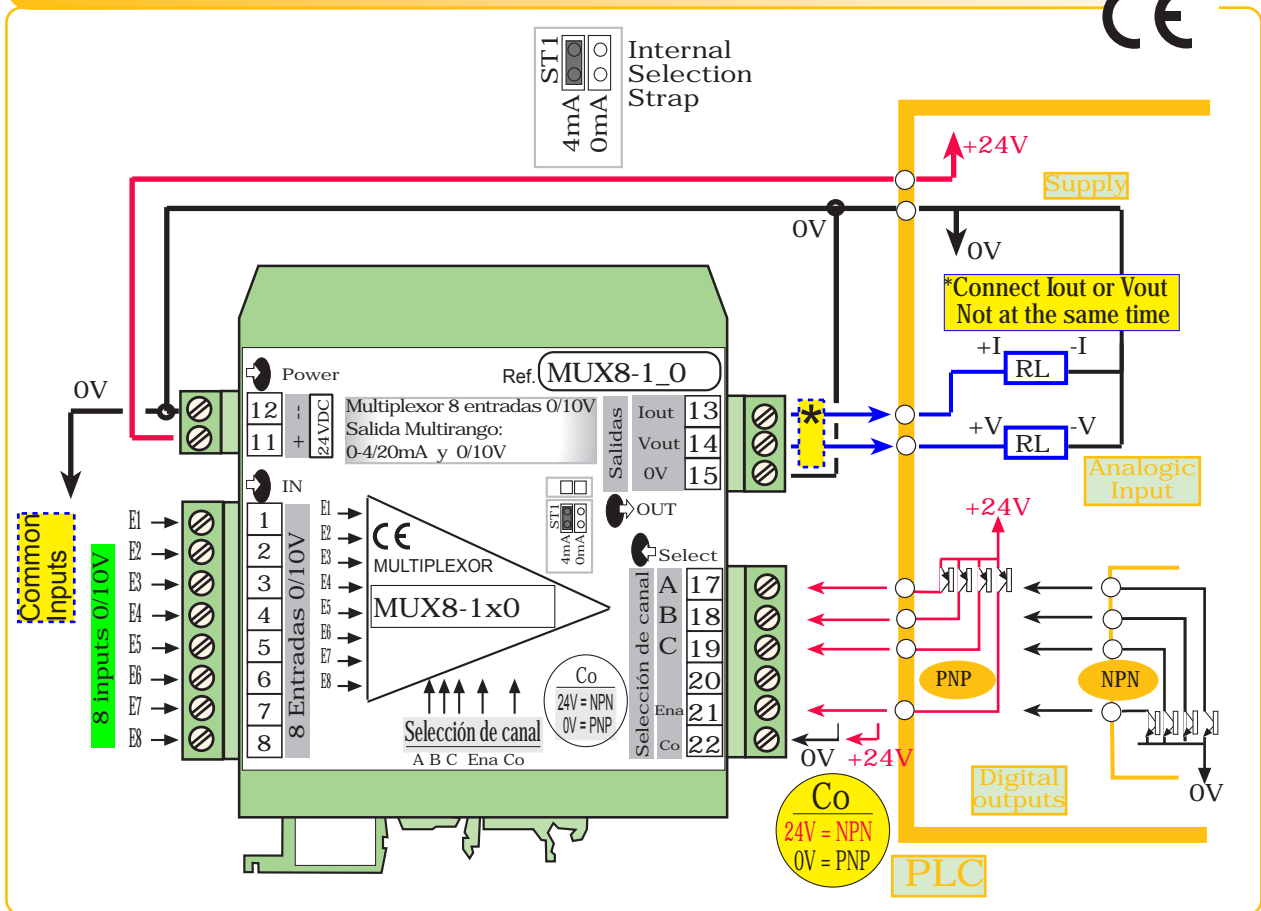
TECHNICAL CHARACT

- 8 analog input channels 0/10 V
- Internal load resistance $R_{in} + R_{on}$ (load in the input loop) 50 Kohm
- Settling time on each channel <2msec
- Digital inputs optocoupled. Bidirectional NPN and PNP. consumption $c / channel < 5 mA$
- Capacity Output loop 0-4 / 20 mA maximum 500 Ohm
- Capacity Output 0 / 10V at least 1 Kohm
- Maximum Internal consumption 40 mA circuit
- Power supply 24 V (+/- 10%)
- Protection against opening the measuring circuit output > 23 mA
- ZERO and SPAN adjust by multimum potentiometer
- Protection against polarity inversion.

Position of the internal



CONNECTIONS



CHANNEL SELECTION

ENABLE	C	B	A	N.CHANNEL
OFF	X	X	X	NO ONE
1	0	0	0	1
1	0	0	1	2
1	0	1	0	3
1	0	1	1	4
1	1	0	0	5
1	1	0	1	6
1	1	1	0	7
1	1	1	1	8

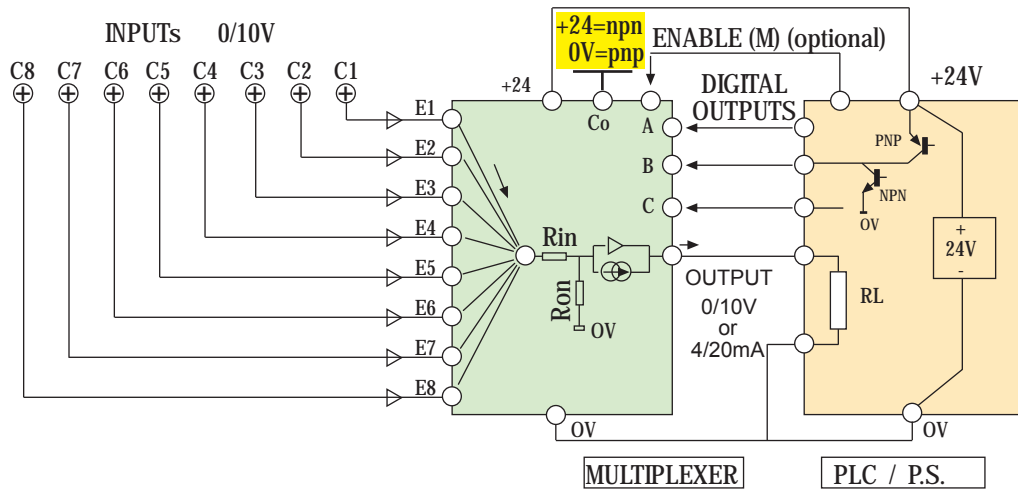
SELECTION SEQUENCE

1. Select the channel in binary (A, B, C).
2. Wait the stabilization time for the analog signal, min 2ms.
3. Get the information

1 = ON
0 = OFF

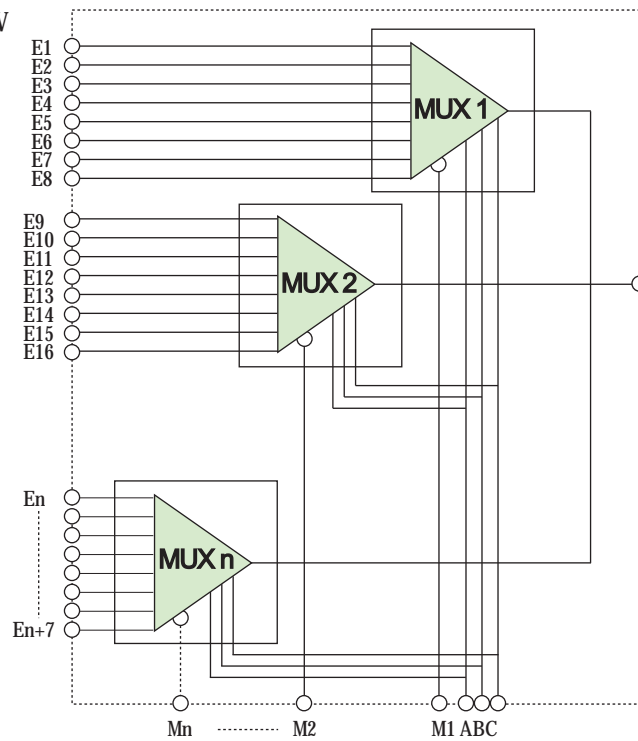
8 input, 1 output CONNECTION EXAMPLE

INPUT 0/10V



EXAMPLE OF VARIOUS INTERCONNECTED MULTIPLEXERS

INPUTs 0/10V



MULTIPLEXER - CHANNEL SELECTION