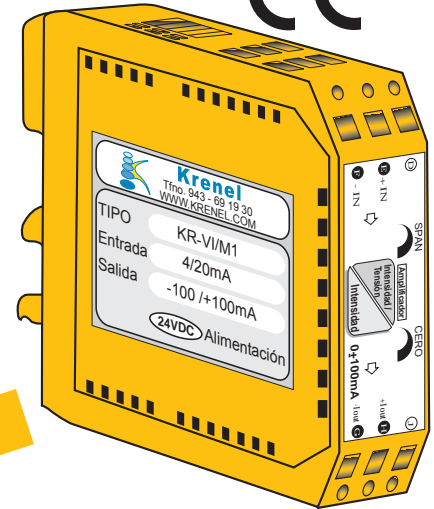


CONVERTER - INPUT AMPLIFIER

0/10V
4/20mA



BIPOLAR OUTPUT

IDC CURRENT

FOR FLOATING LOAD

+ 20 mA
+ 50 mA
+ 100 mA

DESCRIPTION

Amplifiers with outputs in bidirectional current, are used as power stage for proportional valves. Converts a voltage or current setpoint into a bidirectional current proportional to the input.

Available inputs 0/10V, 4/20mA, -10/+10V . . . Other ranges.
Available outputs -20/+20mA, -50/+50mA, -100/+100mA . . .

Can be adjusted with the SPAN and ZERO, accessible through the frontal. The modular box can be used in a DIN EN rail, with a reduced space and consumption.

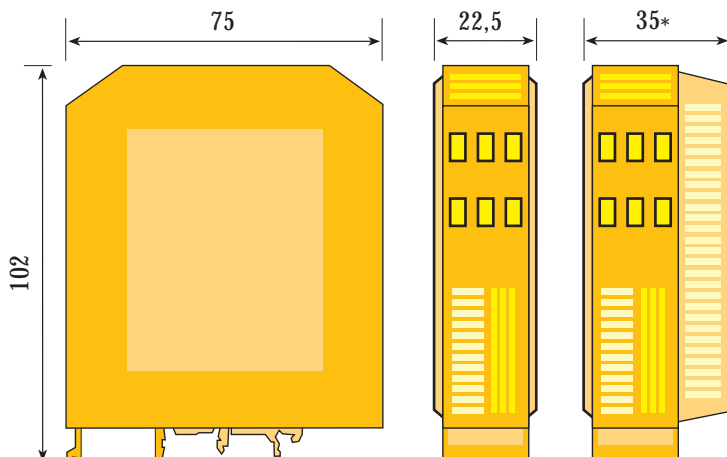
TECHNICAL CHARACT.

- Supply voltage	24 VDC (+/- 10%)
- Max. consumption withoutload	30 mA
- Working Temp.	- 10° ... + 55° C
- Max. global error	< 0,1 %
- SPAN and ZERO adjustment	SPAN (20-100 mA)
- Input impedance(voltage)	100 K
- Input impedance(current)	50 ohm.
- Output impedance	< 220 Ohm
- Response time (10%... 90% max.)	2 ms.
- Floating load (Shouldn't have any common with the 24V)	

REGULATIONS COMPLIANCE

Electromagnetic Compatibility	2004 / 108 / CE
Low voltage for amb. industrial	2006/95/CEE
Electromagnetic emissions	UNE-EN 50081-2
Electromagnetic immunity	UNE-EN 50082-2
Waste electronics(WEEE)	2002 / 96 / CE

DIMENSIONS (mm)



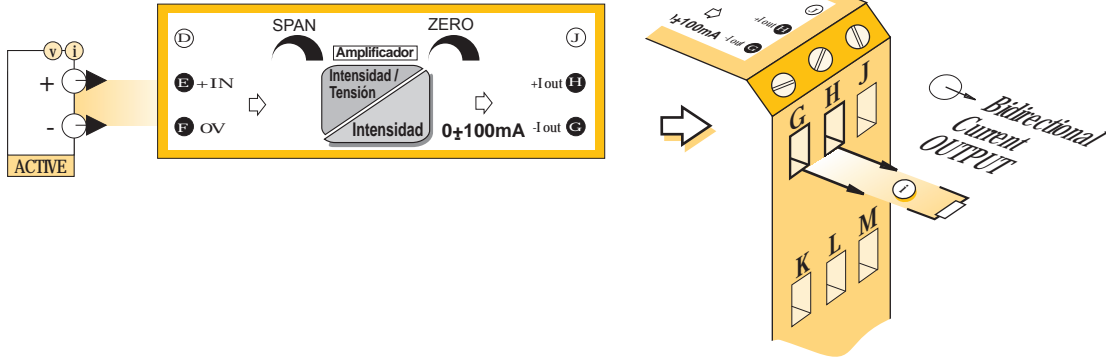
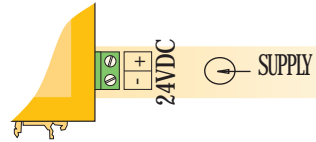
MECHANICAL

Protection:	IP 20
Connection wire:	<2,5 mm, 12 AWG
Box:	Polyamide UL94. V2
Weight: max.	100 gr.
Rail:	EN 50035, EN 50022

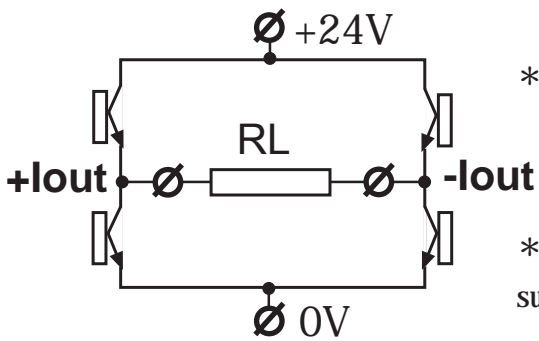
REFERENCE

KR-VI/M1

CONNECTIONS



INTERNAL BLOCKS DIAGRAM



* The output current +/- Iout is floating.

* -Iout cannot be with the OV, with the power supply neither the input