

CONVERTER - AMPLIFIER

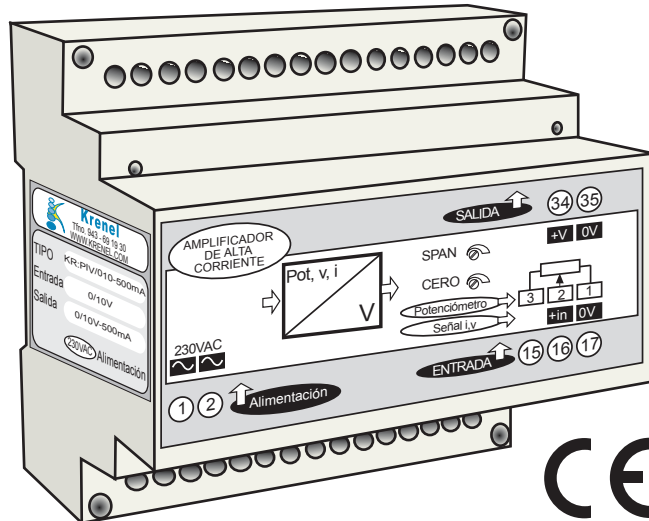
INPUT 0/10V
4/20mA

Potentiometer

OUTPUT

VDC

HIGH CURRENT



10V - 500mA
12V - 150mA
24V - 350mA

DESCRIPTION

Input Converter - amplifier, potentiometer, voltage or current and output voltage, with a max current capacity of 500mA.

AMBIENTALS

| | |
|----------------------------|--------------|
| Working temp. | -10 / +60 °C |
| Storage temp. | -40 / +80 °C |
| T ^a coefficient | 50 ppm / °C |
| Warm up time | 5 min. |

REGULATIONS COMPLIANCE

| | |
|---------------------------------|-----------------|
| Electromagnetic Compatibility | 2004 / 108 / CE |
| Low voltage for amb. industrial | 2006/95/CEE |
| Electromagnetic emissions | UNE-EN 50081-2 |
| Electromagnetic immunity | UNE-EN 50082-2 |
| Waste electronics(WEEE) | 2002 / 96 / CE |

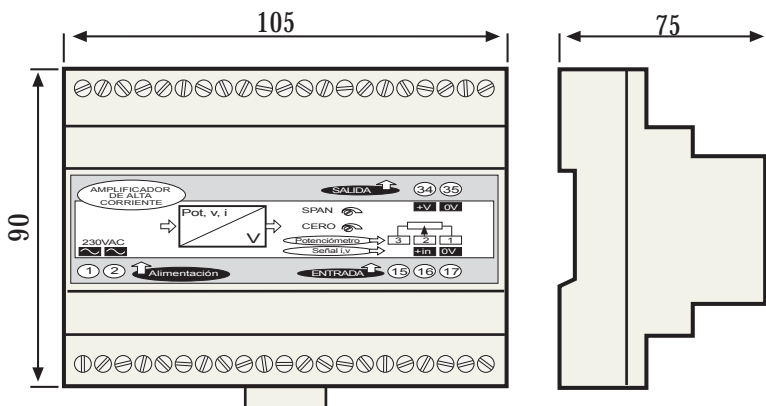
CHARACTERISTICS

- Input ranges 0/10V - 4/20 mA - Potentiometer
- Examples of output ranges 10 V - 500 mA
12 V - 150 mA
24 V - 350 mA
- Supply 230 VAC (+/- 10%)
- shortcutable output

PRECISION

| | |
|------------------|------------|
| Max global error | 0,1 % |
| Linearity error | 0,08 % |
| Thermal drift | 0,5µA / °C |
| Thermal drift | 0,2mV / °C |

DIMENSIONS (mm)



| | |
|------------|--------------------|
| Box | ABS |
| Dimensions | 105 x 90 x 75 |
| Mount | in asymmetric rail |

MODELS

| | |
|--------|------------------|
| SUPPLY | 230VAC |
| | KR:PIV/010-500mA |
| | KR:PIV/010-750mA |
| | KR:PIV/024-350mA |

CONNECTIONS

