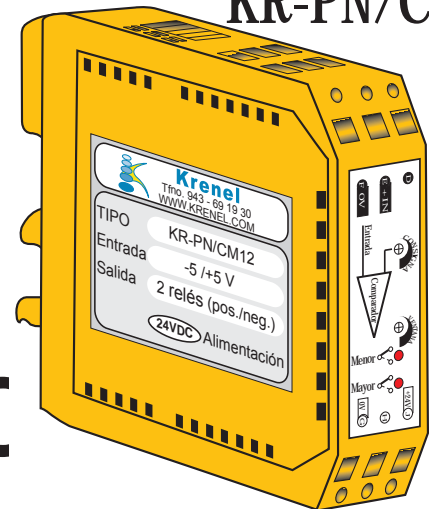


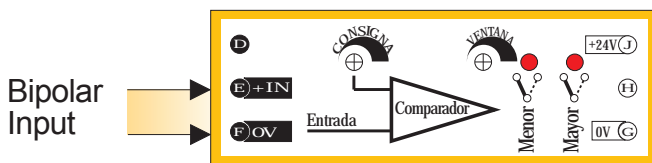
# COMPARADOR

DETECTOR DE SIGNO  
SEÑAL BIPOLAR VDC, IDC

COMPARADOR

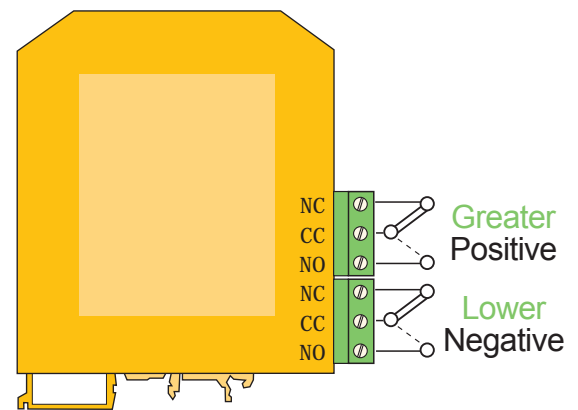


## CONNECTIO



## DESCRIPTION

This module detects if the input is positive or negative. Activates the (Greater) relay when the input is positive. Activates the (Lower) relay when the input is negative. The ZERO can be adjusted (Setpoint) The hysteresis can be adjusted



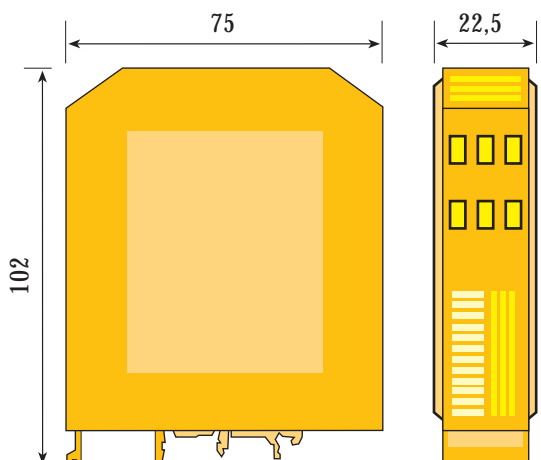
## REGULATIONS COMPLIANCE

Electromagnetic Compatibility	<b>2004 / 108 / CE</b>
Low voltage for amb. industrial	<b>2006/95/CEE</b>
Electromagnetic emissions	<b>UNE-EN 50081-2</b>
Electromagnetic immunity	<b>UNE-EN 50082-2</b>
Waste electronics(WEEE)	<b>2002 / 96 / CE</b>

## TECHNICAL DATA

Max. consumption	50 mA
Input type	VDC, IDC (Bipolar)
2 switched contacts	6A / 230 VAC
Supply	24VDC

## DIMENSIONS (mm)



## AMBIENTALS

Working temp.	<b>-10 / +60 °C</b>
Storage temp.	<b>-40 / +80 °C</b>
T <sup>a</sup> coefficient	<b>50 ppm / °C</b>
Warm up time	<b>5 min.</b>

## MECHANICAL

Protection:	<b>IP 20</b>
Connection wire:	<b>&lt;2,5 mm, 12 AWG</b>
Box:	<b>Polyamide UL94. V2</b>
Weight: max.	<b>110 gr.</b>
Rail:	<b>EN 50035, EN 50022</b>

## MODEL KR-PN/CM12