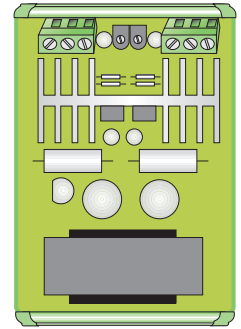
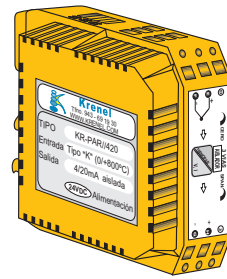
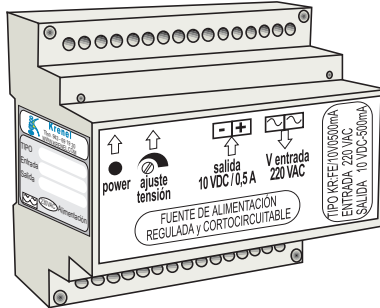
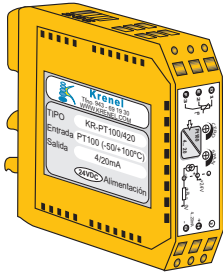


LINEAL POWER SUPPLIES



TECHNICAL CHARACT.

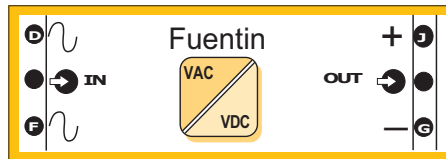
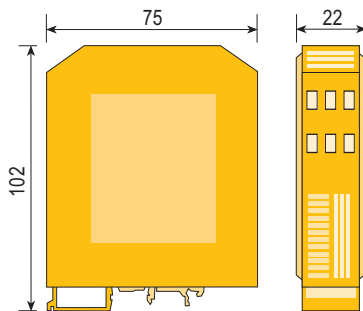
- Supply voltage	230 VAC (+/- 10%)
- Ripple voltage	10 mV
- Shortcutable output, for 1 sec.	
- Modular box for DIN EN rail.	
- Thermal protection	

REGULATIONS COMPLIANCE

Electromagnetic Compatibility	2004 / 108 / CE
Low voltage for amb. industrial	2006/95/CEE
Electromagnetic emissions	UNE-EN 50081-2
Electromagnetic immunity	UNE-EN 50082-2
Waste electronics(WEEE)	2002 / 96 / CE

SIMPLE OUTPUT

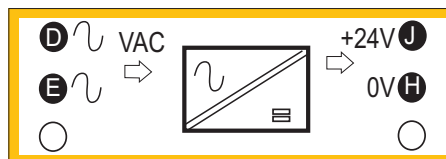
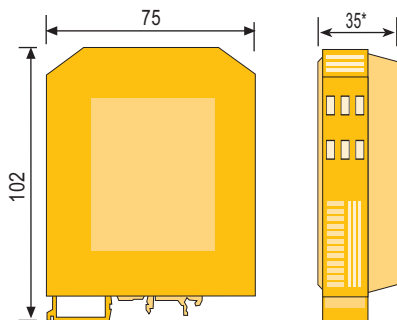
SIMPLE OUTPUT 70/100 mA



REFERENCES:

- KR : FD/24 V - 70 mA
- KR : FD/12 V - 100 mA
- KR : FD/10 V - 100 mA
- KR : FD/5 V - 100 mA

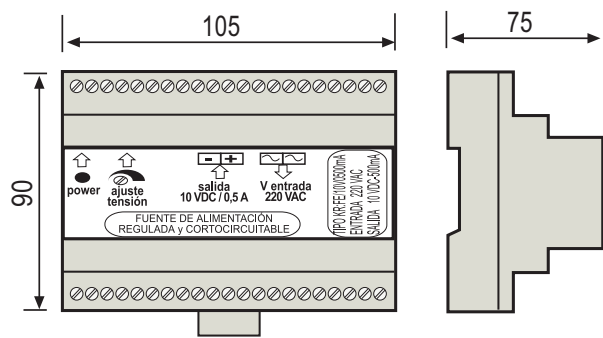
SIMPLE OUTPUT 100/150 mA



REFERENCES:

- KR : FA/24V-100mA
- KR : FA/15V-150mA
- KR : FA/12V-150mA
- KR : FA/5 V -500mA
- KR : FA10/4CEL

SIMPLE OUTPUT 500mA



REFERENCES:

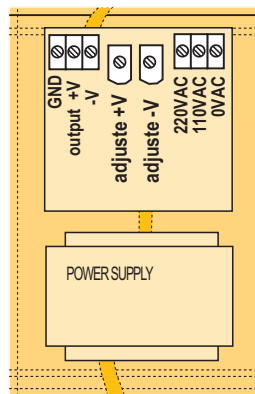
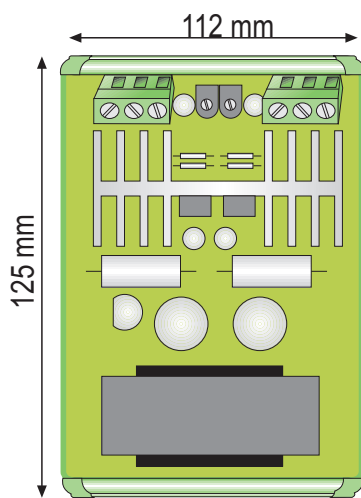
KR : FE/24V-500mA

KR : FE/15V-500mA

KR : FE/12V-500mA

- With fuse protection
- Indication ON

SYMMETRICAL OUTPUT +/-V (+/-400-



REFERENCES:

KR : FS/M15-500mA

KR : FS/M10-400mA

KR : FS/M5 -300mA