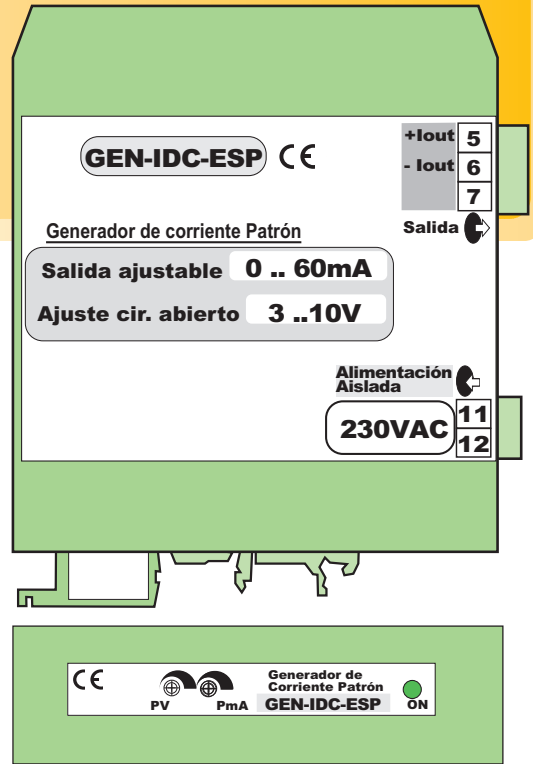
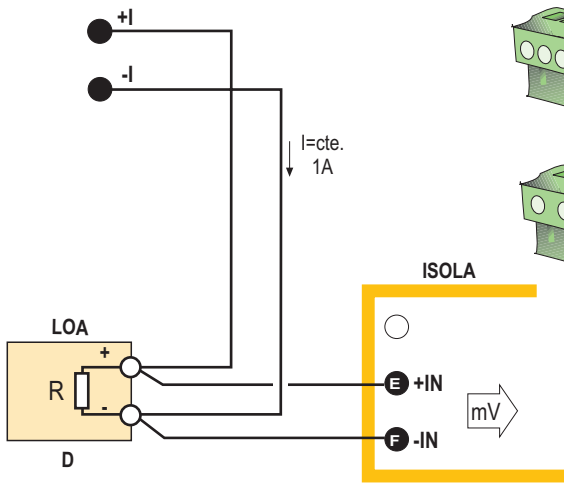


VDC
=
I cte.

IDC Supply Cnt. Current



DESCRIPTION

- The generator modules of constant current output, They are used as current pattern.
- Have current and voltage settings, accessible from the front.
- They come in modular configuration to fit in DIN EN rail profiles, very small space and consumption.

TECHNICAL CHARATC.

- Supply power 95 ... 250 VAC
- Output 0 / 60 mA
- V limitation in output between 3 and 10V
- Global error < -/+ 1 mA
- External acces for multiturn adjustable for I and V
- Protection with current limiter in the output

APPLICATION-MEASUREIMPEDANCES

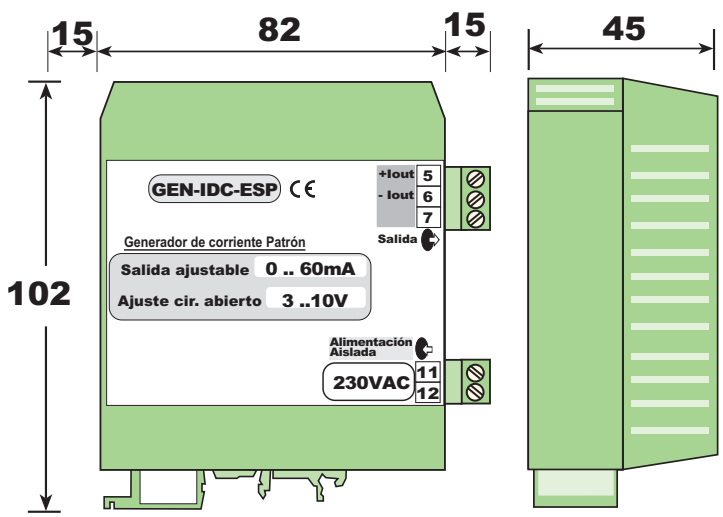
PLUG-IN CONNECTORS

Ask for other currents

AMBIENTALS

Working temp.	-10 / +60 °C
Storage temp.	-40 / +80 °C
T ^a coefficient	50 ppm / °C
Warm up time	5 min.

DIMENSIONES (mm)



REGULATIONS COMPLIANCE

Electromagnetic Compatibility	2004 / 108 / CE
Low voltage for amb. industrial	2006/95/CEE
Electromagnetic emissions	UNE-EN 50081-2
Electromagnetic immunity	UNE-EN 50082-2
Waste electronics(WEEE)	2002 / 96 / CE

MECHANICAL

Protection:	IP 20
Connection wire:	<2,5 mm, 12 AWG
Box:	Polyamide UL94. V2
Weight: max.	100 gr.
Rail:	EN 50035, EN 50022

REFERENCE

GEN-IDC-ESP